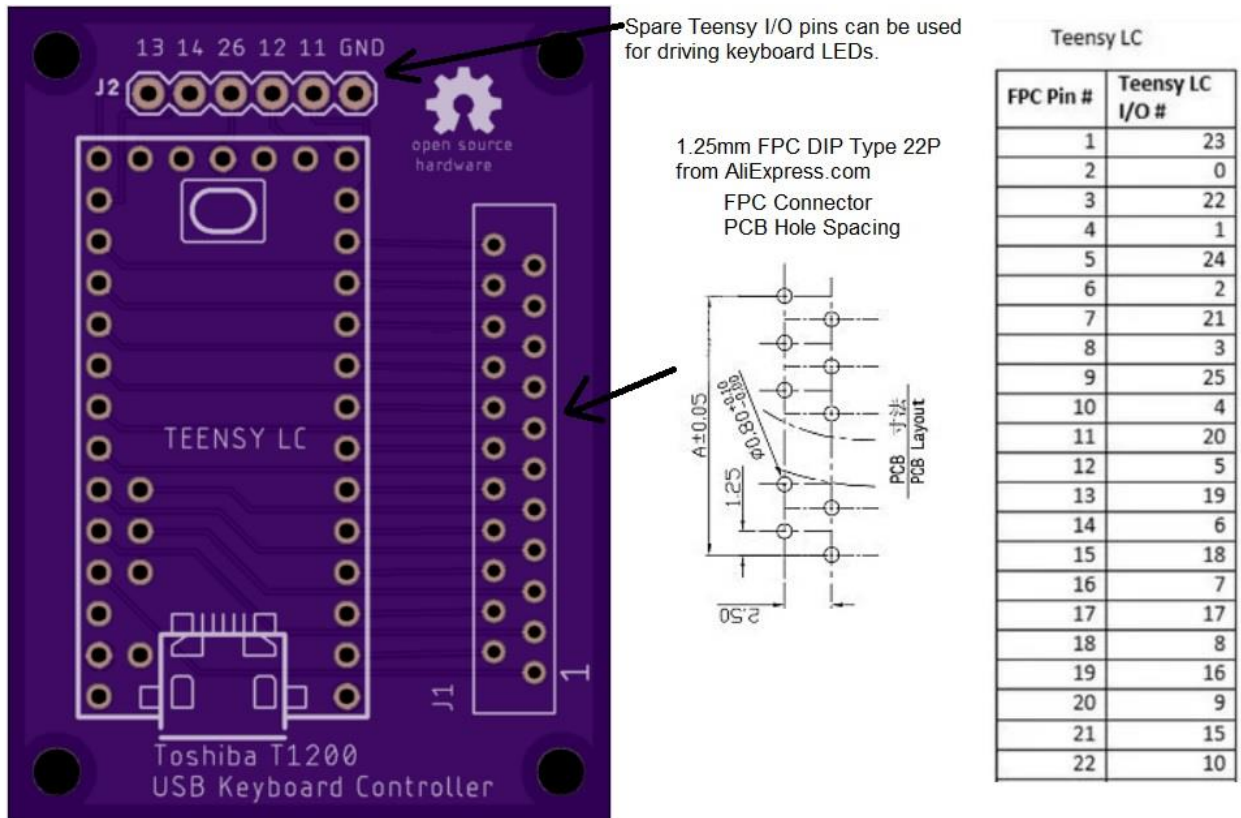


Toshiba T1200 laptop keyboard conversion to USB.

The [key matrix](#) was determined by devicemodder2 and described in a Reddit [post](#) as an 11\*8 matrix with 11 columns and 8 rows as [pictured here](#).

The Teensy LC circuit board is designed for an Aliexpress [22 pin 1.25mm pitch connector](#) with thru-hole pins. The board will also work with a [Molex connector](#) (last time buy) and a [TE connector](#) available from Digikey.

The T1200 connector board has the same Teensy I/O to FPC pin translation table as the standard Teensy LC board seen in my Instructable.



Spare Teensy I/O pins can be used for driving keyboard LEDs.

1.25mm FPC DIP Type 22P from AliExpress.com  
FPC Connector  
PCB Hole Spacing

FPC Pin #	Teensy LC I/O #
1	23
2	0
3	22
4	1
5	24
6	2
7	21
8	3
9	25
10	4
11	20
12	5
13	19
14	6
15	18
16	7
17	17
18	8
19	16
20	9
21	15
22	10

The Eagle board file "T1200.brd" can be fabricated directly by OSH Park. The zipped Gerber file "T1200\_2020-04-27.zip" is formatted for fabrication by JLCPCB.

The schematic file "T1200.sch" is included in this folder in case anyone wants to make changes.